



CARGO PROTECTORS, INC.

"a brand as secure as our products"

www.cargoprotectors.com



FL100 / FL200
Pg. 2



FL101 / FL300
FL400 / FL401 Pg. 3



GL100 / GLO200
Pg. 4



ShareLox
Pg. 5



AM100 / AM101 / AM107
Pg. 6



MP103 / MP105
Pg. 6



SL100 / SLX100 / S103
Pg. 7



ADJ110
Pg. 7



HP2000 / HP2100
HP2200 / HP2300 Pg. 8



Padlocks
Pgs. 9,10,11



Hidden Shackle Padlocks
Pg. 10



SFIC Cores
Pg. 12



Company Profile

Cargo Protectors has been in business for over twenty years. We are a distributor of several different lines of security devices.

With our own Research & Development capabilities, we also have product that is patented and distributed solely by Cargo Protectors.

We specialize in high quality, heavy duty locks for your truck and fencing security needs. Our inventory includes over twenty different products designed to protect your truck and it's contents from theft.

We attend several Security shows yearly, and look forward to showing our product line to you. Check our web site regularly to see when and where these shows will be.

We pride ourselves with our high level of customer service. Our customers are our business, and we give the highest priority to them.

Please browse through our catalog and let us know if you have any questions that we can help you with. If you can't find the security device you are looking for, contact us today and we will help you find the answer for your specific needs.

Product Overview

Fencing/ Gate Security Solutions	Truck/Trailer Security Solutions	Padlocks Security Solutions
Fencing/Gate Latches Fence-Loc TM Pages: 2, 3	Truck/Trailer Security King Pin Lock, Pintle Hitch Page: 6	Pacific/American/Master Pages: 9, 10
Fencing/Gate Latches Ultra Security Latch Page: 4	Truck/Trailer Security Van/Trailer Door Hasps Pages: 7, 8	Hidden Shackle/Misc Pages: 10, 11
Fencing/Gate Latches Shared Access Latch Page: 5		Interchangeable Keying Page: 12

Terms & Conditions

TERMS OF PAYMENT

Terms are net thirty (30) days from invoice date, unless otherwise agreed to. All amounts past due bear interest during the time they remain unpaid at a rate of 1.5% per month (18% per annum). If the Purchaser shall fail to make payments in accordance to the terms agreed upon, the Seller may defer further shipment until such payments are made or terminate the contract. The Seller may otherwise defer shipment, require payment for any shipment hereunder in advance or terminate the contract if the Purchaser's financial responsibility becomes unsatisfactory to the Seller.

Minimum order is \$10.

SALES TAX

Unless specifically stated otherwise, quoted prices do not include sales tax. We are required by law to collect all applicable state and local taxes on orders shipped within Minnesota, and on product customer picks up at the Seller's location. If Purchaser is tax exempt, Purchaser must submit certificate of exemptions for Seller's files.

LIABILITY & WARRANTY

Having no control over use of our products, we assume no liability connected with their use. Under no circumstances is the Seller liable for any loss, damage, or expenses of any kind arising out of the use or inability to use our products. All products are covered by normal manufacturer's warranties. No representative of CPI has the authority to waive, alter, or add provisions to this warranty. This warranty is EXPRESSLY IN LIEU OF ANY OTHER WARRANTIES, EXPRESSED OR IMPLIED, INCLUDING BUT NOT LIMITED TO, any implied warranty or merchantability or fitness for a particular purpose. The Buyer's sole and exclusive remedy against CPI shall be for the repair or replacement, at the option of CPI, of defective products as provided herein. No other remedy (including, but not limited to, incidental or consequential damages for lost profits, lost sales, injury to person or property, or any other incidental or consequential loss) shall be available to Buyer.

PRICE/FREIGHT RATES

Freight is FOB Shipping Point unless stated otherwise. All freight quotes are estimates and are subject to actual costs incurred. If the Purchaser requests product to be shipped to a location other than the quoted shipping point, Purchaser is responsible for additional freight costs. Most orders that are in stock can be shipped the same day. Oversized or heavy items are shipped via motor freight. If overnight, next day, or other expedited delivery is needed, Seller will ship merchandise by any available express service of Purchaser's choosing at Purchaser's expense.

CANCELLATION

Purchase orders are not subject to cancellation as a whole or part, and are not subject to change without approval of the Seller. Cancellations of any specialty fabricated items on which work has begun will be accepted only upon payment of reasonable charges, taking into account expenses already incurred, and commitments already made by Seller. See RETURNED MATERIALS below.

FORCE MAJEURE

The Seller shall not be responsible for any direct or indirect damages whatsoever caused by the delays beyond control of the Seller, and without limiting the generality of the foregoing it shall not be responsible for any damages due to delays caused by fires, strikes, lockouts, labor difficulties, material procedure delays, or any other cause beyond its control.

DAMAGE IN SHIPMENT

Despite our best efforts, items may occasionally be damaged in transit. Freight carriers are liable for damages only when damage is indicated on the bill of lading before you sign for the shipment. Therefore, we recommend that you inspect the outside and contents of all cartons received. If any damage is found, write details on the bill of lading and save the shipment, including the outside container and inside packing material. Ask the delivery carrier to make an inspection and document damage immediately. Per ICC regulations, it is the responsibility of the consignee to file a damage claim with the carrier promptly after inspection.

RETURNED MATERIALS

The amount of credit, if any, allowed to the Purchaser for the materials returned, shall be the sole discretion of the Seller. Most items may be returned within 30 days of receipt. Specialty fabricated items are non-refundable or returnable. Please call, fax, or write our Customer Service Department for a Return Authorization Number and shipping instructions prior to return. Our standard restocking charge is 25%. Shipping charges should be prepaid unless otherwise arranged in advance. All merchandise must be carefully packed and will be subject to a charge if not in saleable condition.

Cargo Latch Fencing/Gate Latches Fence-Loc™

Heavy Duty Double Drive Industrial Gate Latches FL-Series - "T-Bar" Style

- T-Bar design allows padlock to be accessed from both sides of the fence
- Built in bolt cutter protection
- Fully adjustable for gate openings of 2" to 6"
- Accommodates up to 2" diameter gate frames
- No drop rods required



FL100

- Simple two bolt installation
- Hardware included
- Locked gate can't be opened if bolts are removed

PN	Fits	Case Qty	Ship Wt. Ea.
FL 100	Up to 2" round	16	4.33 #



FL200

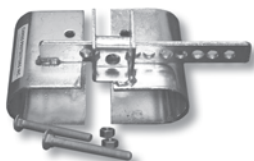
- No hardware required
- Installs on gate frame during fabrication

PN	Fits	Case Qty	Ship Wt. Ea.
FL 200	Up to 2" round	18	3.83 #

Cargo Latch Fencing/Gate Latches Fence-Loc™

Heavy Duty Single & Double Drive
Industrial and Residential Gate Latches
FL-Series - **Front Lock Style**

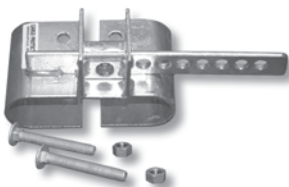
- Padlock can be easily accessed from front of gate
- Built in bolt cutter protection
- Fully adjustable for gate openings of 2" to 6"
- Locked gates can't be opened even if bolts are removed
- No drop rods required



FL101

- Double Drive Light Industrial Latch
- Simple two bolt installation

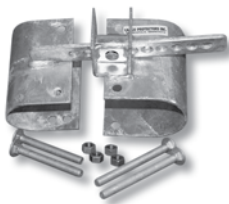
PN	Fits	Case Qty	Ship Wt. Ea.
FL 101	Up to 2" round	20	3.35 #



FL300

- Double Drive Residential Latch
- Simple two bolt installation

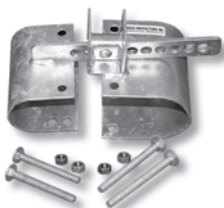
PN	Fits	Case Qty	Ship Wt. Ea.
FL 300	Up to 1 3/8" round	30	2.24 #



FL400

- Single Drive Light Industrial Latch
- Right or left hand four bolt installation

PN	Fits	Case Qty	Ship Wt. Ea.
FL 400	Up to 2" Round gate w/ 2 3/8" post	16	3.38 #
FL 401	Up to 2" Round gate w/ 2 7/8" post	15	3.60 #



FL401

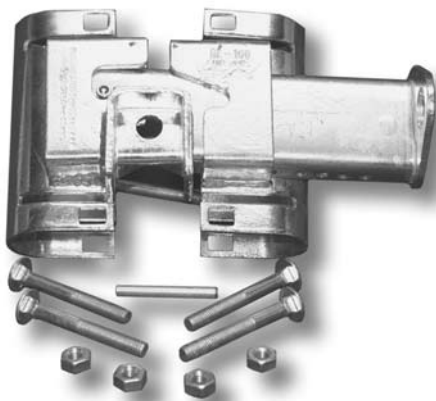
* CPI TIP *
Don't overtighten mounting bolts as installed latch must swivel on gate and post.

Cargo Latch Pro Fencing/Gate Latches Ultra Security Latch

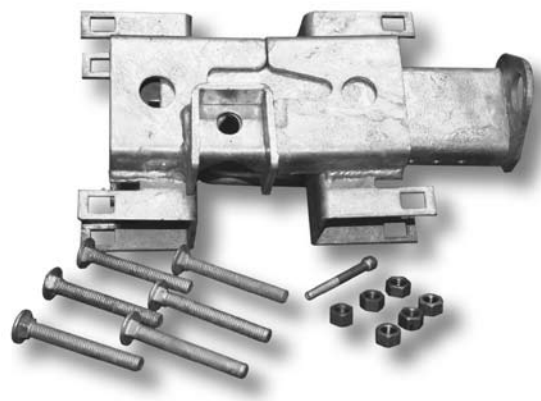
Extreme Duty Double Drive Industrial Gate Latches

- Padlock can be accessed and latch operated from both sides of gate
- Built in bolt cutter protection
- Adjustable for openings of 3" to 6"
- Locked gates can't be opened even if bolts are removed
- Simple four or six bolt installation
- No drop rods required

GL100



GLO200



PN	Fits	Case Qty	Ship Wt. Ea.
GL 100	2" Round / 1 ⁵ / ₈ " Round w/opt. spacers	6	7.5 #
GLO 200	2" Square / 1 ¹ / ₂ " Square w/opt. spacers	6	7.5 #

GL100 Optional Spacer



GLO200 Optional Spacer



Fencing/Gate Latches

Shared/Multiple Access Latch

- Allows controlled access for up to six separate padlocks
- Accommodates Chain Link and Ornamental Gate Frames
- Adjustment feature - Fits any opening from 2" up to 4"
- Heavy duty protection - Bolt cutter resistant
- Drop rod not necessary



Sharelox

With this Patented Lock system the designated person in charge can activate, deactivate or lock out a padlock slot in seconds without the use of tools.

P/N	Fits	Frames	Carton Qty.	Ship Wt. Ea.
SHARE	Ornamental 1 1/2" up to 2"	Chain link 1 5/8" & 2" Frames	4	12 #

Notes

Truck/Trailer Security King Pin Lock & Pintle Hitch

- High Security - Renders bolt cutters and power drills virtually useless
- Padlock body holds the slide bar in the locked position
- Can be assembled or disassembled in less than a minute
- Can be keyed alike, restrictive keyway or master keyed
- Cast from durable ductile iron

AM100



AM101



AM107



PN	Fits	Case Qty	Ship Wt. Ea.
AM100	Complete less padlock (requires American 5200)	5	12 #
AM101	Complete with padlock & keys (specify KA or KD)	N/A	12 #
AM107	Complete with I/C core padlock less core	N/A	12 #

- Fits most transport, construction and military type pintle hitches
- Cast from durable ductile iron
- Very simple to use

MP103



MP105



PN	Fits	Case Qty	Ship Wt. Ea.
MP103	Complete less padlock (requires Master #5)	14	4.67 #
MP105	Complete with padlock (specify KA or KD)	N/A	5.0#

Truck/Trailer Security Van/Trailer Door Hasps

- Provides maximum bolt cutter protection
- Made of high carbon heat treated steel
- Heavy duty galvanized finish
- Available with or without mounting hardware
- Small, medium and large footprint assures the proper fit

SL100



SLX100



S103



PN	Fits	Case Qty.	Ship Wt. Ea.
SL100	3.75" overall width - 4 bolt mounting	18	2.5 #
SLX100	9" overall width - 6 bolt mounting	12	4.8 #
S103	17" overall width - 12 bolt mounting	8	7.9 #

- No hardware required - Installs in seconds
- Fully adjustable range to secure most trailers with swing doors
- Full bolt cutter protection
- Locked hook-um can not be pried off trailer door locking bars
- Universal design can be moved from trailer to trailer for convenience
- Does not have to be completely removed to open doors

ADJ110 - Hook-Um

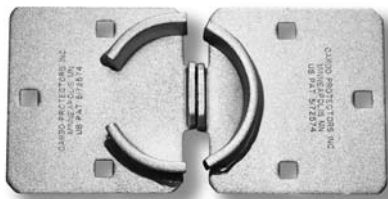


PN	Fits	Case Qty.	Ship Wt. Ea.
ADJ110	Trailers with swing type doors	6	7.5 #

Truck/Trailer Security Van/Trailer Door Hasps

- High security hasps for hidden shackle padlocks
- Made of high carbon steel with full length welds for strength
- Heavy duty galvanized finish for weather resistance
- A wide variety of applications where high security is required such as: vans, vending machines, trailer doors, sheds, cellar doors, containers and freezers

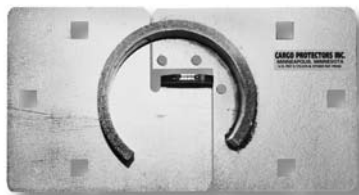
HP2000



HP2100



HP2200



HP2300



PN	Fits	Case Qty.	Ship Wt. Ea.
HP2000	3 pc ring- no overlap, lock access from side	14	3.5 #
HP2100	1 pc ring - overlaps, lock access from side	14	3.5 #
HP2200	1 pc ring - overlaps, lock access from bottom 3 holes to mount CP2170	14	3.5 #
HP2300	1 pc ring - overlaps, lock access from bottom 3 holes to mount CP2170 - Raised center section to accommodate weather stripping and trim	14	3.5#

- All above hasps can be ordered with or without hardware



Padlocks

Master Lock/ American Lock



- In addition to the stock products listed below, we have access to the entire Master lock/American lock product line
- Contact us for a full line catalog
- We stock several key numbers of these padlocks and can re key most to your specifications
- Master keyed systems are also available with a short lead time

Padlocks - SFIC Compatible					
American	Master	Material	Shackle Dia.	Shackle Clear	Case Qty.
A3560		Brass	5/16"	1-1/8"	24
A3561		Brass	5/16"	2"	24
A3562		Brass	5/16"	3"	24
A3200		Steel	5/16"	1-1/8"	24
A3201		Steel	5/16"	2"	24
A3202		Steel	5/16"	3"	24
A3571		Brass	3/8"	2"	24
A3572		Brass	3/8"	3"	24
A3260		Steel	3/8"	1-1/8"	24
A3261		Steel	3/8"	2"	24
A3262		Steel	3/8"	3"	24
	6421LJ	Weather Tough	5/16"	2-1/2"	24

Keyed Padlock with two Keys KA or KD					
American	Master	Material	Shackle Dia.	Shackle Clear	Case Qty.
	#5	Lam Steel	3/8"	1"	24
	#1	Lam Steel	5/16"	15/16"	24
	6230	Steel	7/16"	1-1/8"	24
	6230LH	Steel	7/16"	2"	24
A5200		Steel	5/16"	1-1/8"	24
	175LH	Brass Combo	5/16"	2-1/4"	36

Padlocks

Pacific



- In addition to the stock products listed below we have access to the entire Pacific lock product line
- Contact us for a full line catalog
- Master keyed systems are also available with a short lead time

Padlocks - SFIC Compatible				
Pacific	Material	Shackle Dia.	Shackle Clear	Case Qty.
150IC	Brass	5/16"	1-1/8"	40
152IC	Brass	5/16"	2"	40
153IC	Brass	5/16"	3"	40
100IC	Steel	5/16"	1-1/8"	50
102IC	Steel	5/16"	2"	50
103IC	Steel	5/16"	3"	50
250IC	Brass	3/8"	1-1/8"	44
252IC	Brass	3/8"	2"	44
253IC	Brass	3/8"	3"	44
200IC	Steel	3/8"	1-1/8"	30
202IC	Steel	3/8"	2"	30
203IC	Steel	3/8"	3"	30

Hidden Shackle Padlock



- Model CP 2170 is built to our specifications by Pacific Lock Co. It is a flat back lock that has three tapped holes in the back to facilitate mounting on our HP 2200 and HP 2300 hasp
- This lock can be keyed alike, keyed different or master keyed
- Model A 2500 American is also available from our stock

Padlocks

Miscellaneous

In addition to padlocks from Master lock, American Lock, Pacific, ABUS Lock, LAI and Schlage, we have several security devices from key safes, key cabinets and door hardware to safety lockouts and locker locks available.

Please feel free to contact us for anything security related. If they make it, we can get it for you.

Notes

Interchangeable/ Keying

Interchangeable Core Advantages

Interchangeable core (I/C) offers maximum flexibility to the owner. Whenever a key is lost or stolen, locks can be re keyed quickly. All it takes is the special CONTROL key. This key is used to remove and install all cores in the system. Just go to the lock, remove the old core and install the new one with the control key. Security is regained in seconds!

Cargo Protector's interchangeable cores and I/C lock sets are compatible with other small format interchangeable core (SFIC) products such as Best, Arrow, GMS and Falcon. Use our locks with their cores and vice versa.

In most cases Cargo Protectors can even furnish cores master keyed into your existing Best or Arrow key system by including a copy of your existing bitting list with your order. Keyways shown here are equivalent to Best and Arrow I/C keyways of the same names.

Consult Cargo Protectors for restricted keyways not listed here. When ordering locks or cores master keyed into existing Best, Arrow or other compatible I/C systems, a copy of the bitting list for the existing system is required with the order.

Interchangeable Core Keyways

Cargo Protectors stocks a large quantity of cores and keys in the following keyways: A B D E F G. We can create new systems or provide combined cores into your existing system. We also have access to just about any SFIC keyway available. Cargo Protectors master keying uses the A2 System (depths 0 - 9) as the standard, but we can also provide cores into competitor's A3 (depths 0 - 6) key systems.

Cargo Protectors can supply you with all the equipment and supplies necessary for you to combine your own cores on site. Please feel free to contact us with any questions you may have on the Interchangeable Core family of products.





3685 Quail Road NE
Suite 100
Sauk Rapids, Minnesota 56379

Toll Free 1.800.728.3038
Phone 1.320.202.6567
Fax 1.320.202.7792
E-mail sales@cargoprotectors.com

www.cargoprotectors.com