

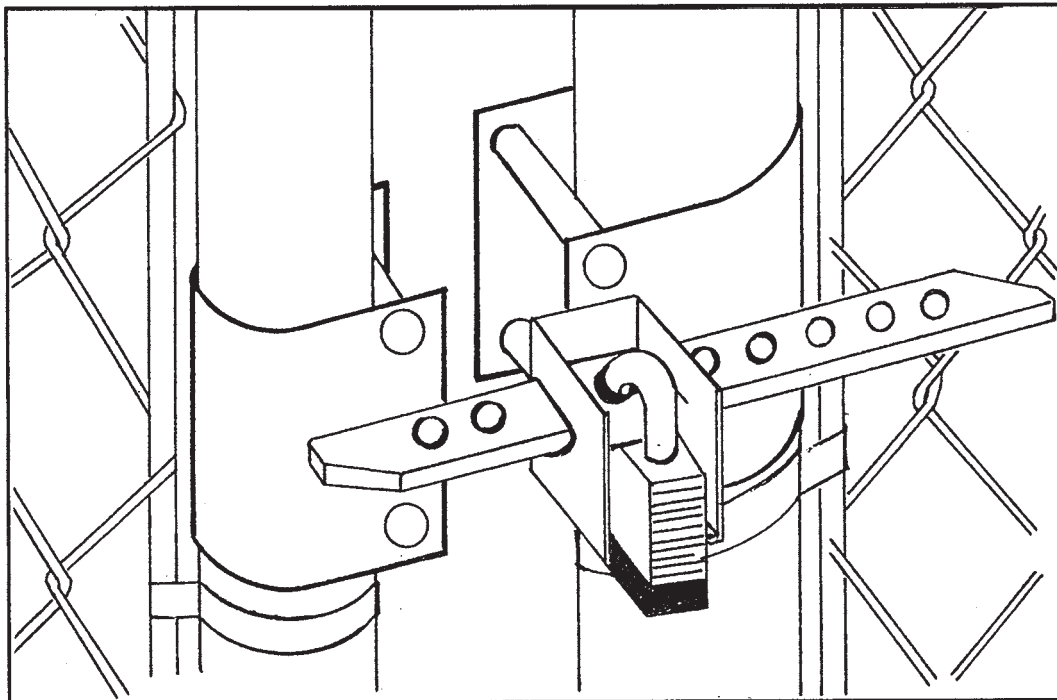
FENCE-LOC™

Heavy Duty Single and Double Drive
Industrial and Residential Gate Latches
Provides High Security

FL – Series Front Lock Style

- Gate leaves can be spaced a tight 2" apart for higher security.
- Double Drive latches allow up to 6" of adjustment between gate leaves.
- Unique design protects padlocks from bolt cutters.
- Simple Two Bolt or Four Bolt Installation.
- Heavy Duty Protection. Bolt Cutter Resistant.
- Locked Gates can't be opened even if Bolts are removed.

DROP ROD NOT NECESSARY



Double Drive Industrial Latch - 2 Bolt

FL-101: Industrial

Fits 1-5/8" or 1-7/8" Gate Frames

FL-300: Residential

Fits 1-3/8" Gate Frames

Industrial Single-leaf Gate Latch - 4 Bolt

Use on Left or Right Hand Gate

FL-400:

Fits 1-5/8" or 1-7/8" Gate Frames

Fits Gate Post 2-3/8"

FL-401:

Fits 1-5/8" or 1-7/8" Gate Frames

Fits Gate Post 2-7/8"



CARGO PROTECTORS, INC.

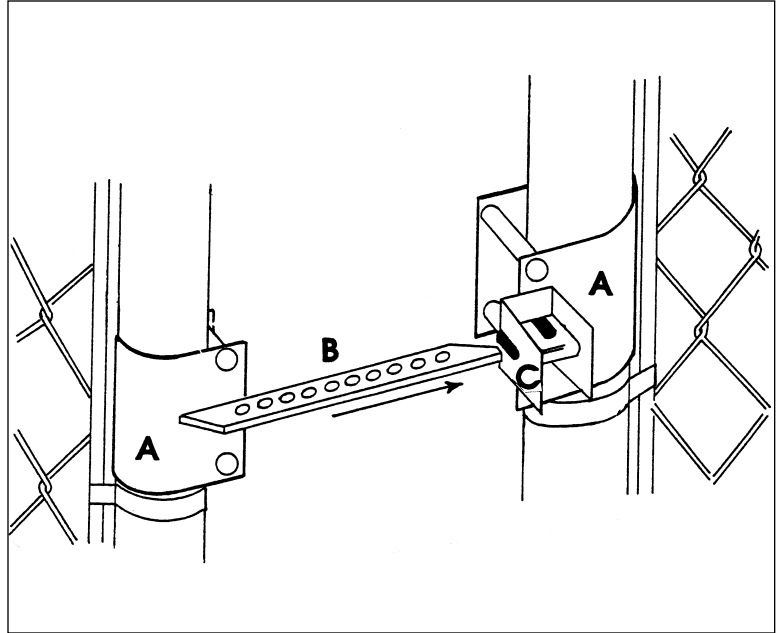
3685 Quail Road NE • Suite 100 • Sauk Rapids MN 56379

1.800.728.3038 • 320.202.6567 • Fax 320.202.7792

E-mail: sales@cargoprotectors.com • www.cargoprotectors.com

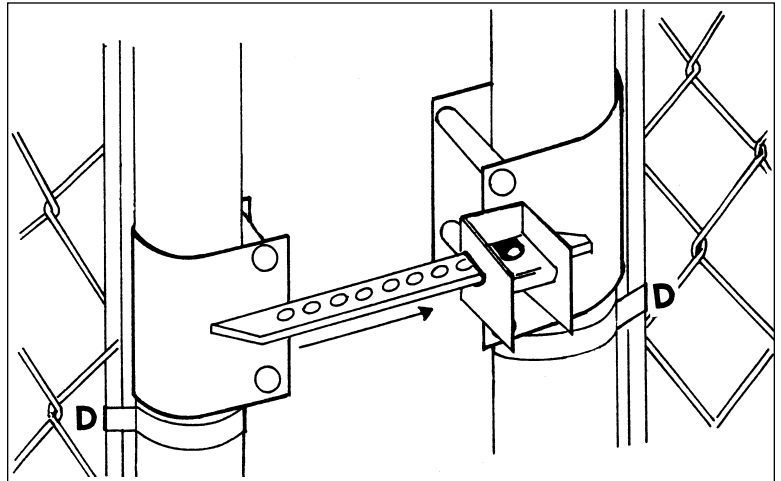
INSTRUCTIONS FOR MODELS: FL-101 • FL-300 • FL-400 • FL-401

Install Brackets A so they rotate and enable Bar B to line up with C.



NOTE: Rotating enables latch pieces to slide into one another at the correct alignment.

Use Tension Bands D to keep latch in proper alignment adjustment.



Note: When gates are in a closed position, latch can now be padlocked through aligned holes.

When latch is installed in a 2" opening Bar B may need to be shortened so it doesn't interfere with chain link fence.

