

# Cargo's Gate Latch GL-100

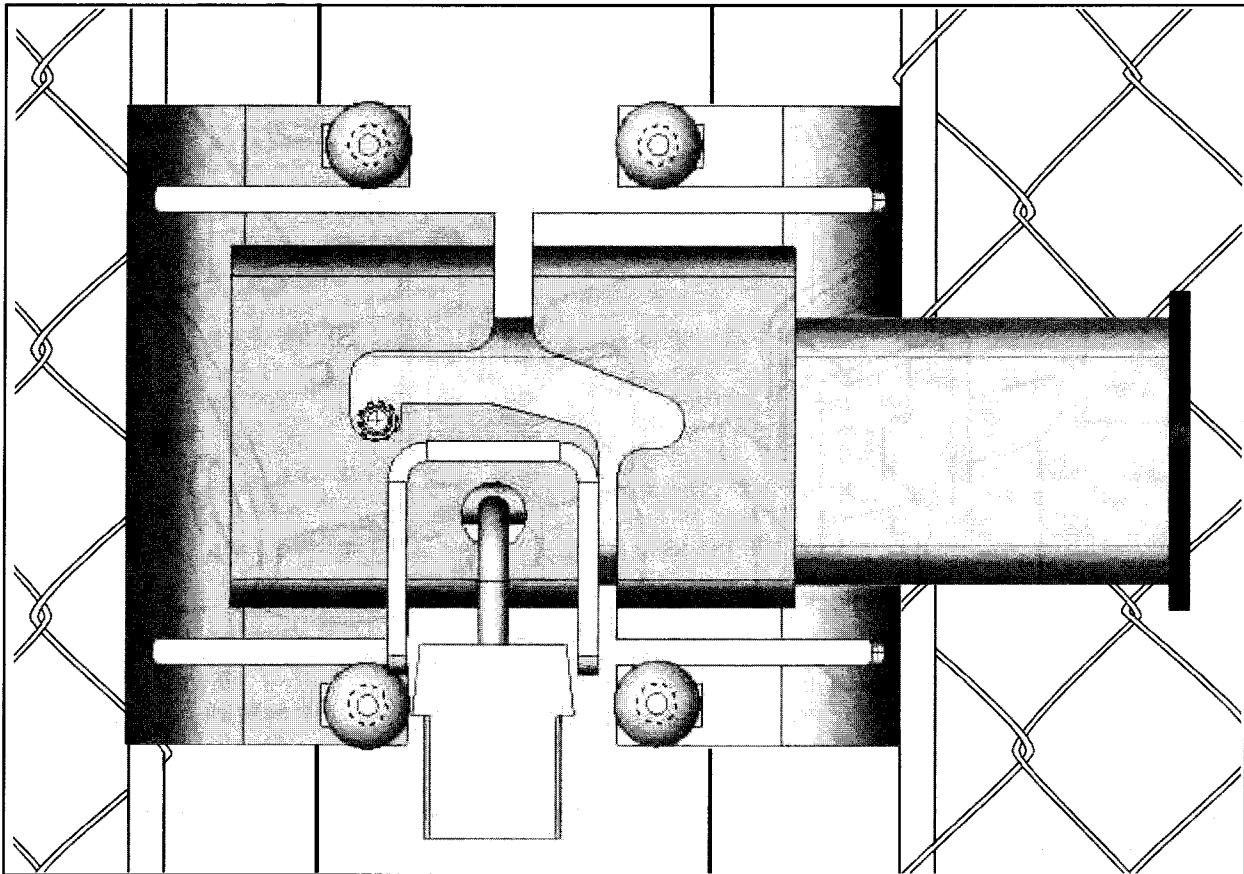
Heavy Duty Double Drive Industrial Gate Latches  
Provides High Security

**NEW**

## NEW HIGHER SECURITY LATCH

- Accommodates both 1-5/8" and 2" gate frames
- Adjustment feature – Fits opening 3" up to 6"
- Heavy duty protection – bolt cutter resistant
- Drop rod not necessary

Patent Pending



## GL-100 Ultra High Security Latch

For Double Drive Industrial Gates • Simple 4 bolt installation

- Latch can't be opened even if bolts are removed

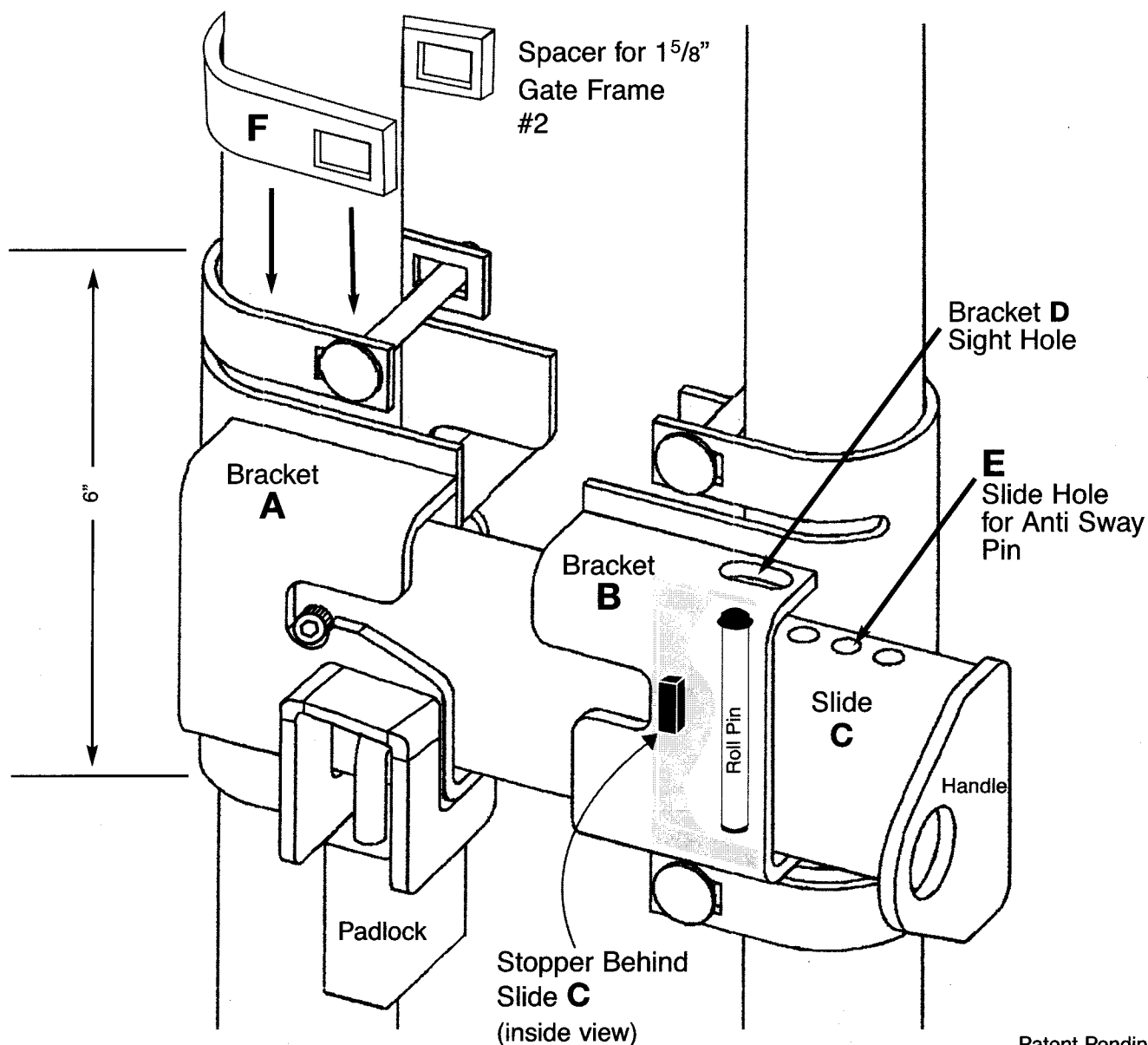
**NEW**

**Cargo Protectors, Inc.**

Minneapolis • Sauk Rapids

1.800.728.3038 • email: [sales@cargoprotectors.com](mailto:sales@cargoprotectors.com) • [www.cargoprotectors.com](http://www.cargoprotectors.com)

# Instructions for Installation – GL 100 Double Drive Gate Latch



1. Attach latch to Gate Frames. Make sure Brackets (A & B) are aligned and level before tightening bolts.

2. Use Space F to install latch on 1 5/8" gate frames.

## INSTALLATION OF ANTI SWAY (Roll Pin) (Make sure slide is in CLOSED position)

3. Drop Anti Sway pin through sight hole D into slide hole E.

4. Pull Slide out. Pound Anti Sway pin in flush with top of slide, re-check alignment of Brackets A&B.

NOTE: ANTI SWAY PIN HELPS TO PREVENT GATE SWAY!

## Cargo Protectors, Inc.

Minneapolis • Sauk Rapids

1.800.728.3038 • email: sales@cargoprotectors.com • www.cargoprotectors.com