

# **Cargo's Gate Latch GLO-200**

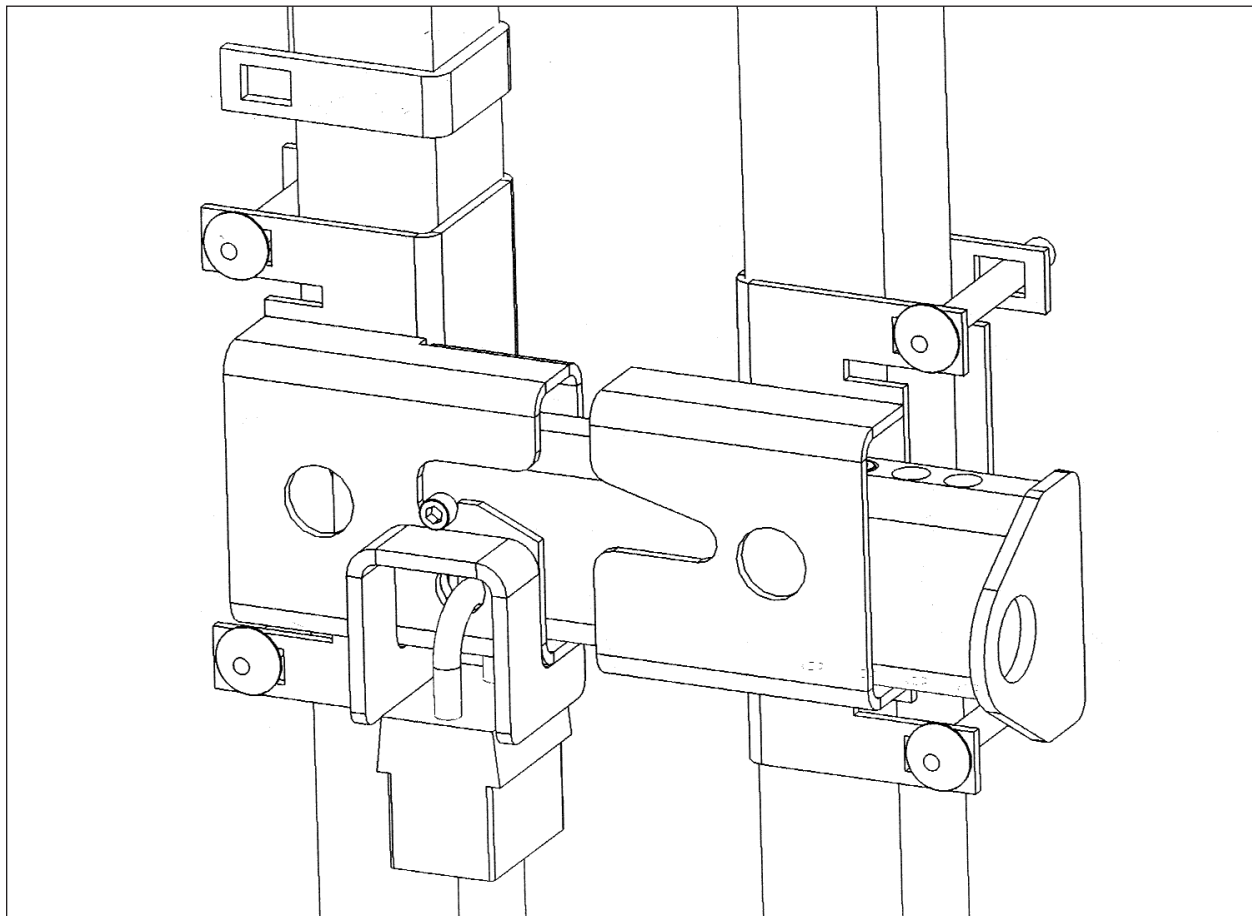
**For Ornamental Gates**

**Heavy Duty Double Drive Industrial Gate Latches  
Provides High Security**

## **NEW HIGHER SECURITY LATCH**

- Accommodates both 1-1/2" and 2" gate frames
- Adjustment feature – Fits any opening 3" up to 6"
- Heavy duty protection – bolt cutter resistant
- Drop rod not necessary

Patent Pending



## **GLO-200 Ultra High Security Latch**

For Double Drive Industrial Gates • Simple 6 bolt installation • Latch can't be opened even if bolts are removed • Demanded by today's tough security environment

Offer it to your homeland security customers!

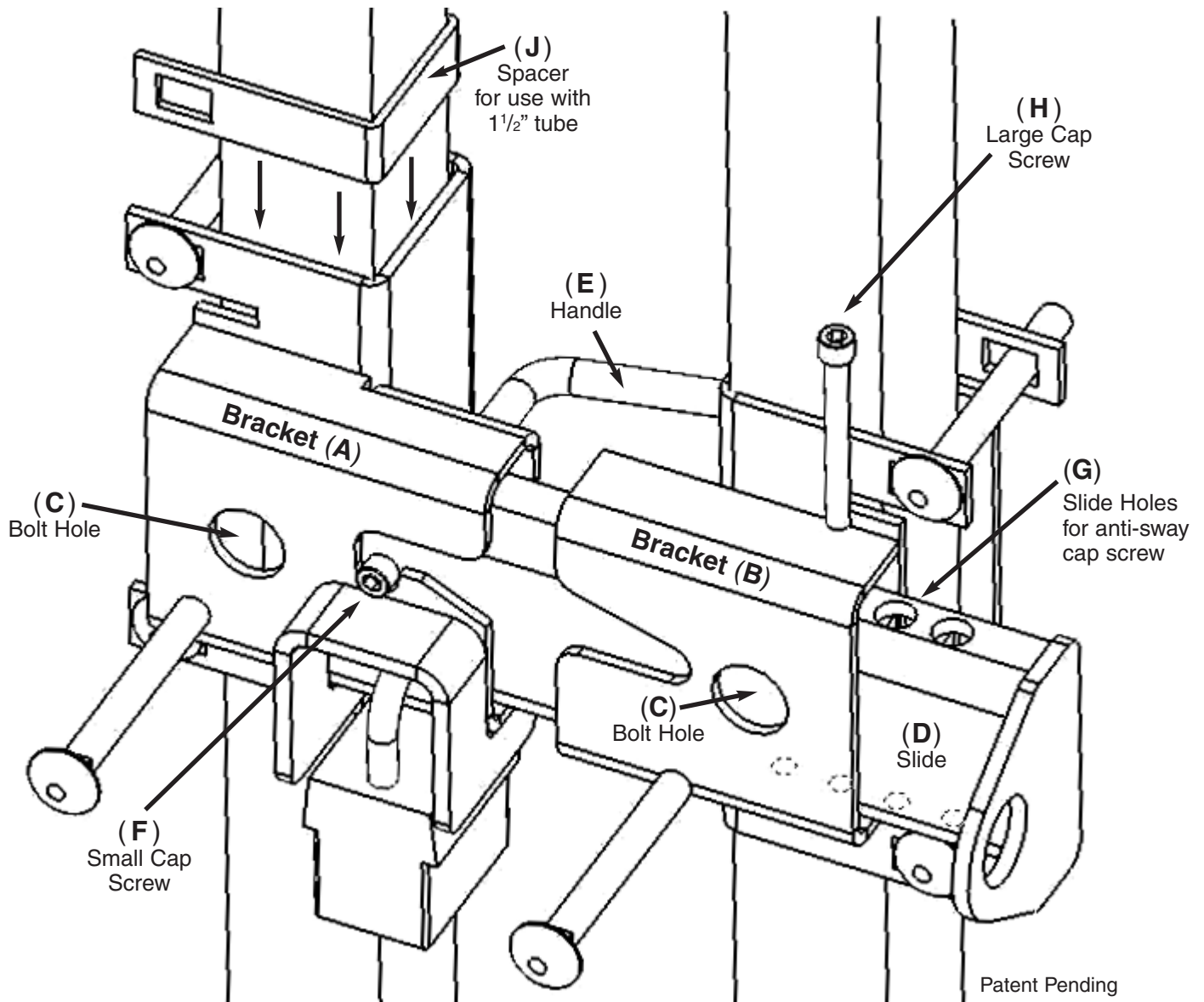
**Cargo Protectors, Inc.**

1.800.728.3038 • email: [sales@cargoprotectors.com](mailto:sales@cargoprotectors.com) • [www.cargoprotectors.com](http://www.cargoprotectors.com)

---

# Instructions for Installation

---



1. Attach latch to Gate Frames. Make sure Brackets **(A & B)** are aligned and level before tightening bolts.

NOTE—Spacers **(J)** are needed for 1 1/2" Gate Frame. Make sure Spacers **(J)** are in place before tightening bolts.

2. Using Bracket **A** as a template and with a 3/8" drill bit, drill a hole on both sides of the post that align with Bolt Hole **(C)**. Repeat on other side with Bracket **B**.
3. Insert bolt through Bolt Holes **(C)** and tighten.
4. Slide Assembly: Insert Slide **(D)** into brackets until small hole is in center of Brackets **(A&B)**. Align small hole in Slide **(D)** with hole in Handle **(E)**. Place Small Cap Screw **(F)** into holes from the front and tighten. Slide into closed position.
5. Pull Slide **(D)** out from closed position enough to reveal one more Slide Hole **(G)**. Screw in Large Cap Screw **(H)** and tighten into threaded hole.