



CARGO PROTECTORS, INC.

633 3RD Street NE, St. Cloud, MN 56304

www.cargoprotectors.com

Toll-Free: (800) 728-3038

Phone: (320) 202-6567

Fax: (320) 202-7792

sales@cargoprotectors.com

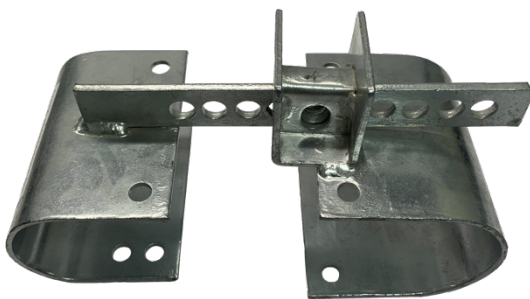
FL400 / FL401 Fence-Loc™

Single Drive Light Industrial Gate Latch

Provides High Security for Fenced Areas

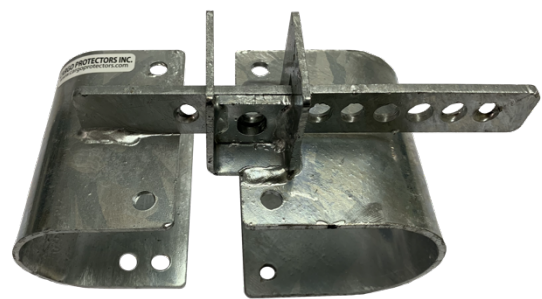
- Padlock can be easily accessed from front of gate
- Fully adjustable for gate openings of 2" to 6"
- Built-in bolt cutter protection
- No drop rods required
- Simple two bolt installation with hardware included
- Locked gates can't be opened even if bolts are removed

FL400 Fence-Loc™



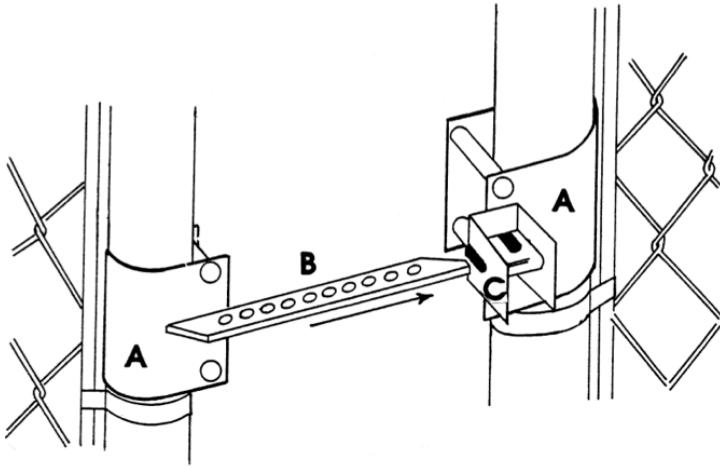
- Fits round gate frames up to 2" diameter with 2-3/8" post

FL401 Fence-Loc™



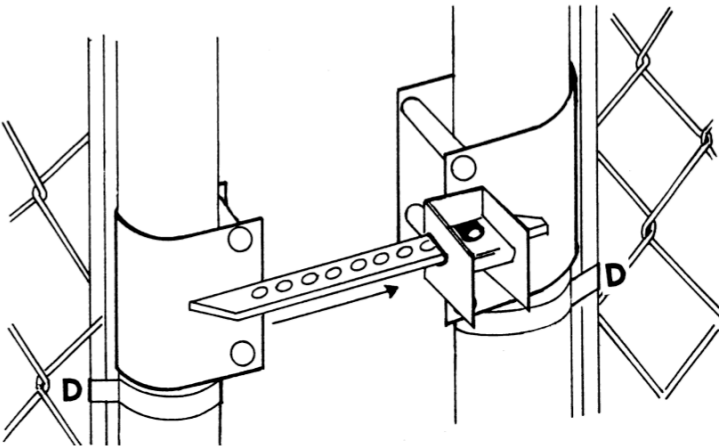
- Fits round gate frames up to 2" diameter with 2-7/8" post

INSTRUCTIONS

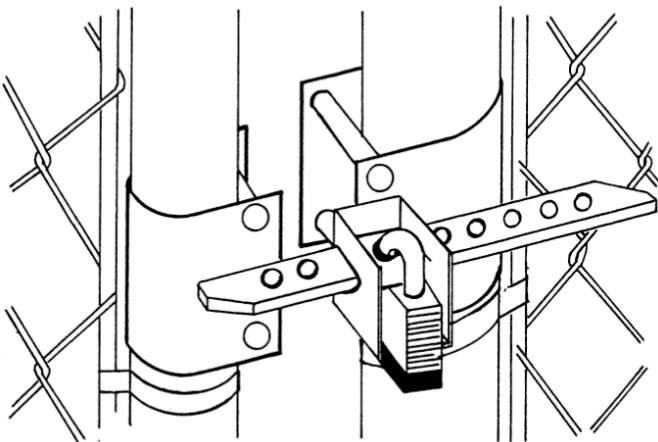


- Install Brackets **A** so they rotate and enable Bar **B** to line up with **C**.

NOTE: Rotating enables each latch piece to slide into one another at the correct alignment.



- Use Tension Bands **D** to keep latch in proper alignment adjustment.



- When gates are in a closed position, latch can now be padlocked through aligned holes.

NOTE: When gate latch is installed in a 2" opening, Bar **B** may need to be shortened so it doesn't interfere with the chain link fence.