



CARGO PROTECTORS, INC.

633 3RD Street NE, St. Cloud, MN 56304

www.cargoprotectors.com

Toll-Free: (800) 728-3038

Phone: (320) 202-6567

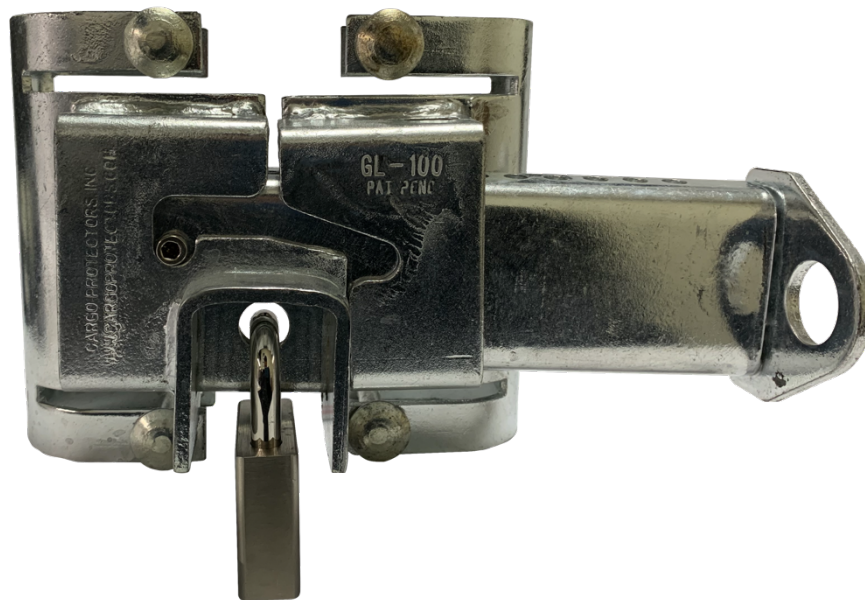
Fax: (320) 202-7792

sales@cargoprotectors.com

GL100 Ultra Security Gate Latch

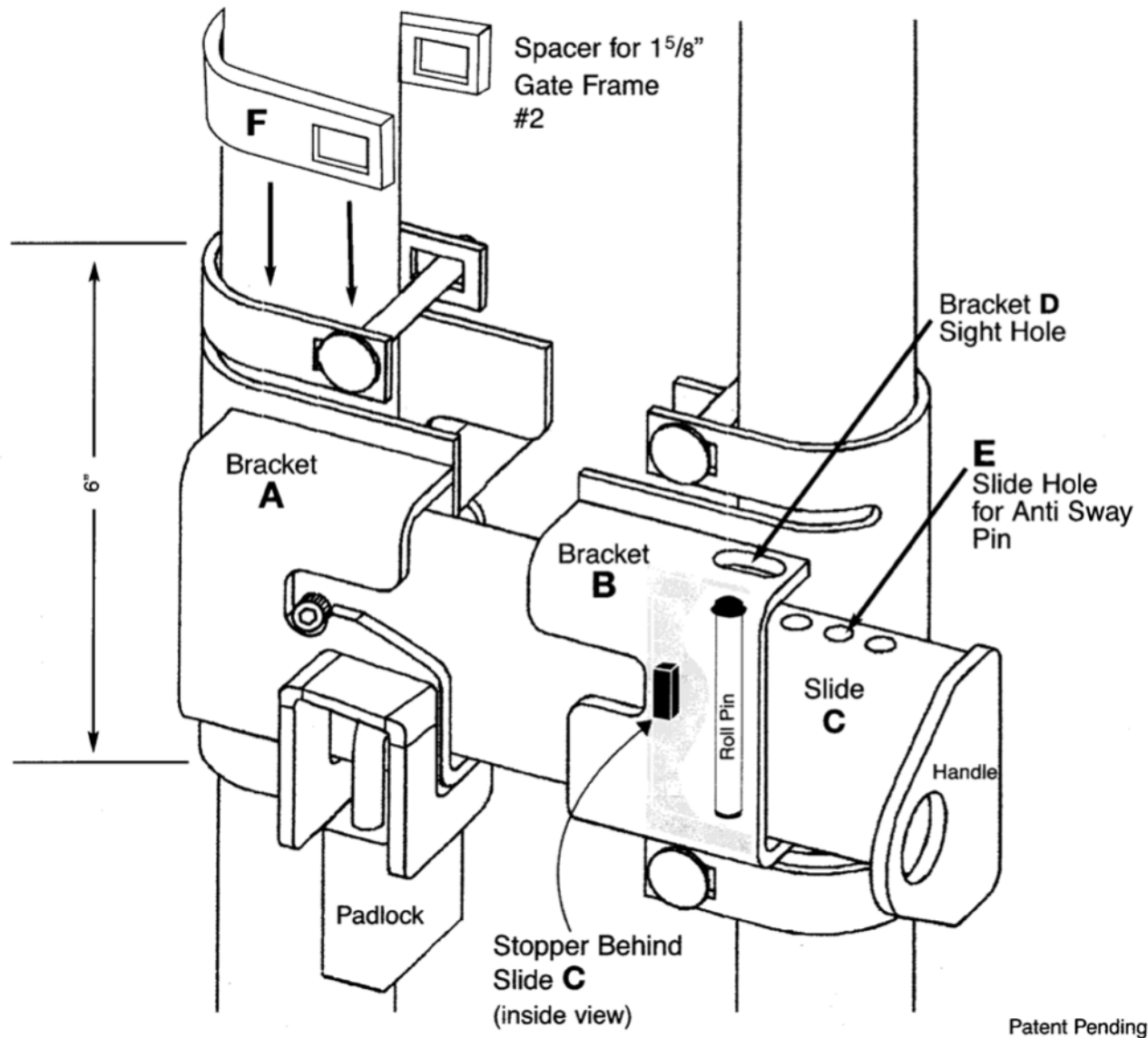
Extreme Duty Double Drive Industrial Gate Latch

Provides High Security for Fenced Areas



- Padlock can be easily accessed and latch operated from both sides of gate
- Fits 2" diameter round gate frames, or 1-5/8" round frames with included spacers
- Fully adjustable for gate openings of 3" to 6"
- Built-in bolt cutter protection
- No drop rods required
- Simple four or six bolt installation with hardware included
- Locked gates can't be opened even if bolts are removed

INSTRUCTIONS



1. Attach Gate Latch to gate frames. Make sure Brackets **A & B** are aligned and level before tightening bolts.
2. Use Spacer **F** to install latch on 1-5/8" gate frames.

INSTALLATION OF ANTI SWAY ROLL PIN (Make sure slide is in CLOSED position)

3. Drop Anti Sway Roll Pin through Bracket Sight Hole (D) into Slide Hole (E).
4. Pull Slide out. Pound Anti Sway Roll Pin in flush with the top of the Slide.
5. Re-check alignment of Brackets **A & B**.